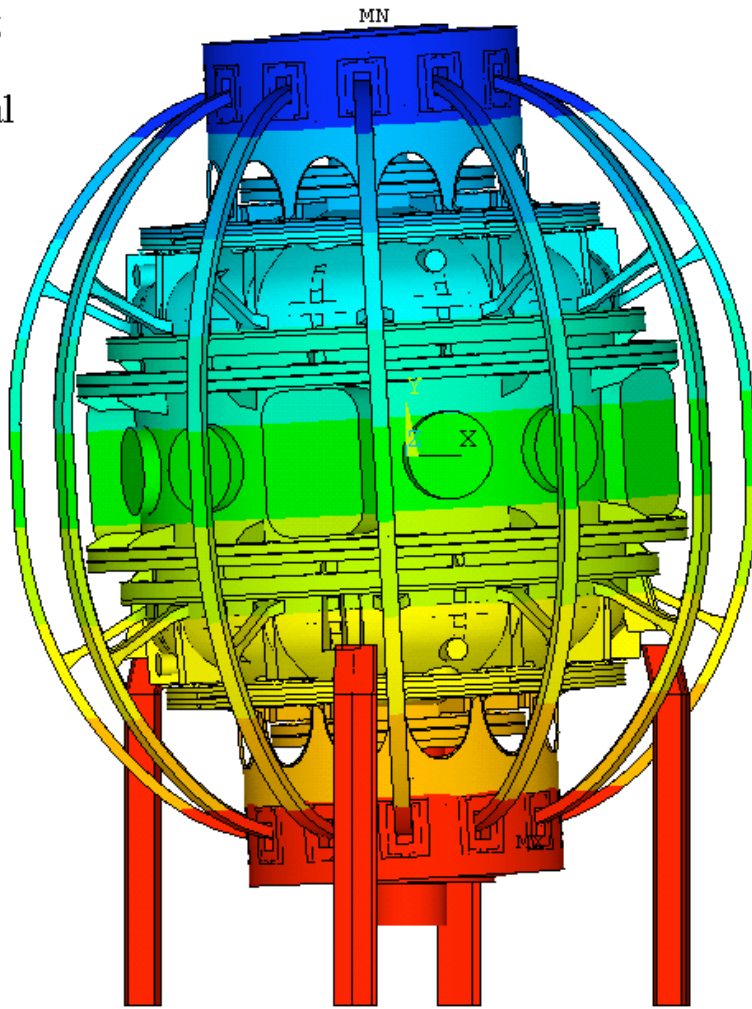


**From:** "Titus, Peter" <Peter.Titus@ga.com>  
**Date:** February 4, 2009 3:35:07 PM EST  
**To:** "ldudek@mac.com" <ldudek@mac.com>  
**Subject:** FW:

**From:** Titus, Peter  
**Sent:** Wednesday, February 04, 2009 12:31 PM  
**To:** 'ldudek@pppl.gov'  
**Subject:**

# Rocking mode and pf wavy mode







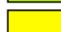



1  
Rocking  
Mode  
ux global



ANSYS

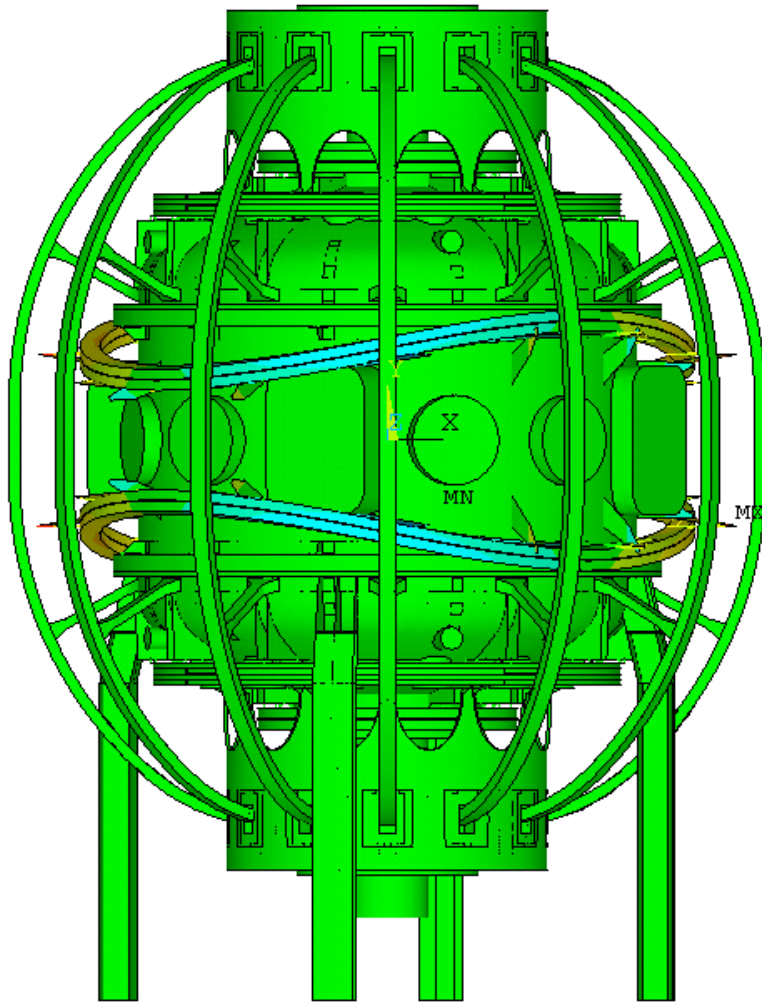
FEB 4 2009  
14:33:36  
NODAL SOLUTION  
STEP=1  
SUB =4  
FREQ=2.866  
UX (AVG)  
RSYS=0  
PowerGraphics  
EFACET=1  
AVRES=Mat  
DMX =.007344  
SMN =-.007171  
SMX =.117E-03

ZV =1  
DIST=3.745  
XF =-.163233  
YF =-.405476  
ZF =.027298  
Z-BUFFER

-  -.007171
-  -.006362
-  -.005552
-  -.004742
-  -.003932
-  -.003123
-  -.002313
-  -.001503
-  -.693E-03
-  .117E-03

1T

1



1T

ANSYS 11.0  
FEB 4 2009  
14:41:39  
NODAL SOLUTION  
STEP=1  
SUB =11  
FREQ=13.766  
UY (AVG)  
RSYS=12  
PowerGraphics  
EFACET=1  
AVRES=Mat  
DMX =.027426  
SMN =-.012561  
SMX =.012561

ZV =1  
DIST=3.721  
YF =-.427051  
Z-BUFFER

|              |          |
|--------------|----------|
| Blue         | -.012561 |
| Light Blue   | -.009769 |
| Cyan         | -.006978 |
| Light Green  | -.004187 |
| Green        | -.001396 |
| Yellow-Green | .001396  |
| Yellow       | .004187  |
| Orange       | .006978  |
| Red-Orange   | .009769  |
| Red          | .012561  |